

ROBUS®

DOWNLIGHTS

GEM CCT4 GIMBAL DIMMABLE DOWNLIGHT

6W, CCT4, IP65



PRODUCT INFORMATION DOCUMENT

FEATURES

- Fully sealed – compliant with RT2012, acoustics rated and blown insulation can be sprayed over the fitting
- Separate driver with push connectors for fast and easy installation
- Stepped back reflector
- Adjustable tilt angle in any direction
- CCT selection of 2700K, 3000K, 4000K or 6500K

CONSTRUCTION

- Polycarbonate body, trim and driver housing
- Aluminium heat sink
- Polycarbonate LEDchroic lens
- Integrated CCT switch
- 3 way push in connector with double poles
- Steel spring clips



WARRANTY



LIFETIME



LUMENS PER W



IK RATING



IP RATING



OPERATING VOLTAGE



BEAM ANGLE



CCT



DIMMING



SAFETY CLASS

Product Code:	RGE6CCT4-11 RGE6CCT4-10 RGE6CCT4-15
Comparable to:	50W Halogen
Total Power (W):	5.3/5.3/5.3/5.3
Power Factor:	0.85
Total Light Output (lm):	450/480/550/540
Total Emergency Light Output (lm):	NA
Efficacy (lm/cctW):	86/92/105/104
Lux at 1m (lux):	330/360/410/400
Emergency Lux at 1m (lux):	NA
CCT (K):	2700/3000/4000/6500
CRI:	80
IP:	65
Operation Temperature [°C]:	-20 ≤ Ta ≤ +40
Inrush Current:	1A/8us
RG Value:	0
SDCM:	6
P _{ST} LM:	NA
SVM:	NA
Energy Class:	F
Rated Life to L70B50 (Hrs):	35000
Dimensions ØxH (mm):	58x90
Cut Out (mm):	67
Weight (kg):	0.22

Separate Control Gear Information	
Type of Light Source:	LED
Full Load Efficiency (%):	84
P _{NET} (W):	NA
Dimensions (mm):	120x50x27

Product is certified to all the relevant standards.

Please contact our technical department for market specific compliances.

PLEASE NOTE: INFORMATION IN THIS DOCUMENT MAY BE SUBJECT TO CHANGE WITHOUT PRIOR NOTICE

IRE: TEL: +353 1 709 9000
UK: TEL: 0800 973 220
AUS: TEL: +61 7 3890 5444
NZ: TEL: +64 03 668 5285

WEB: ROBUS.COM
WEB: ROBUS.COM
WEB: ROBUS.COM.AU
WEB: ROBUSLED.CO.NZ

LED GROUP EUROPE · UK · AUSTRALIA · NEW ZEALAND · ASIA · MIDDLE EAST · AFRICA

ROBUS®

DOWNLIGHTS

GEM CCT4 GIMBAL DIMMABLE DOWNLIGHT

6W, CCT4, IP65

Cone Illuminance Diagram

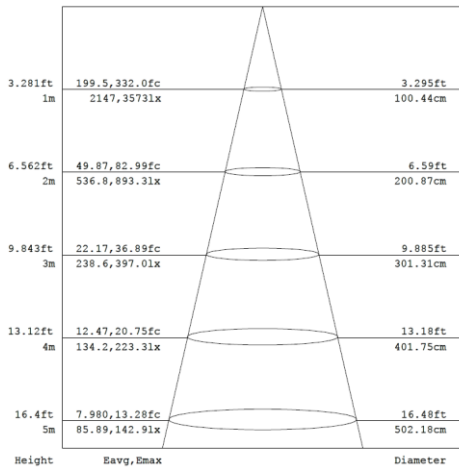
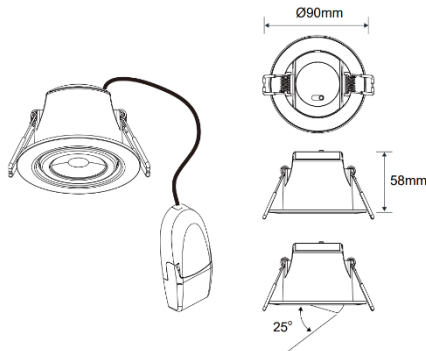


Diagram for RGE6CCT4-10 in 3000K. Other diagrams available on request

Dimension Diagram



Sensor Data

Time Off Delay:	NA
Illuminance Switching Range:	NA
Sensitivity Range (%):	NA
Mounting Height (max):	NA
Detection Zone Diameter (max):	NA

Polar Intensity Diagram

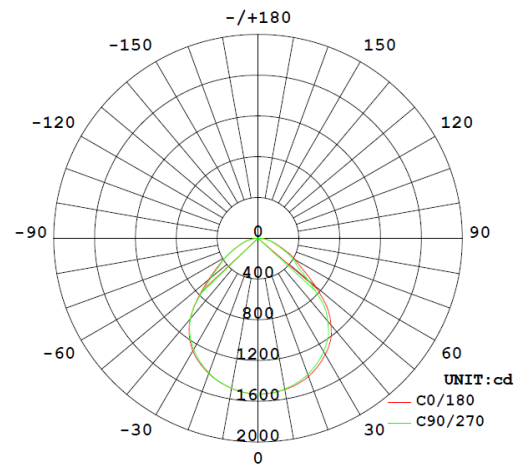


Diagram for RGE6CCT4-10 in 3000K. Other diagrams available on request

Accessories

NA

PLEASE NOTE: INFORMATION IN THIS DOCUMENT MAY BE SUBJECT TO CHANGE WITHOUT PRIOR NOTICE

IRE: TEL: +353 1 709 9000
 UK: TEL: 0800 973 220
 AUS: TEL: +61 7 3890 5444
 NZ: TEL: +64 03 668 5285

WEB: ROB.US.COM
 WEB: ROB.US.COM
 WEB: ROB.US.COM.AU
 WEB: ROB.US.LED.CO.NZ

LED GROUP EUROPE · UK · AUSTRALIA · NEW ZEALAND · ASIA · MIDDLE EAST · AFRICA